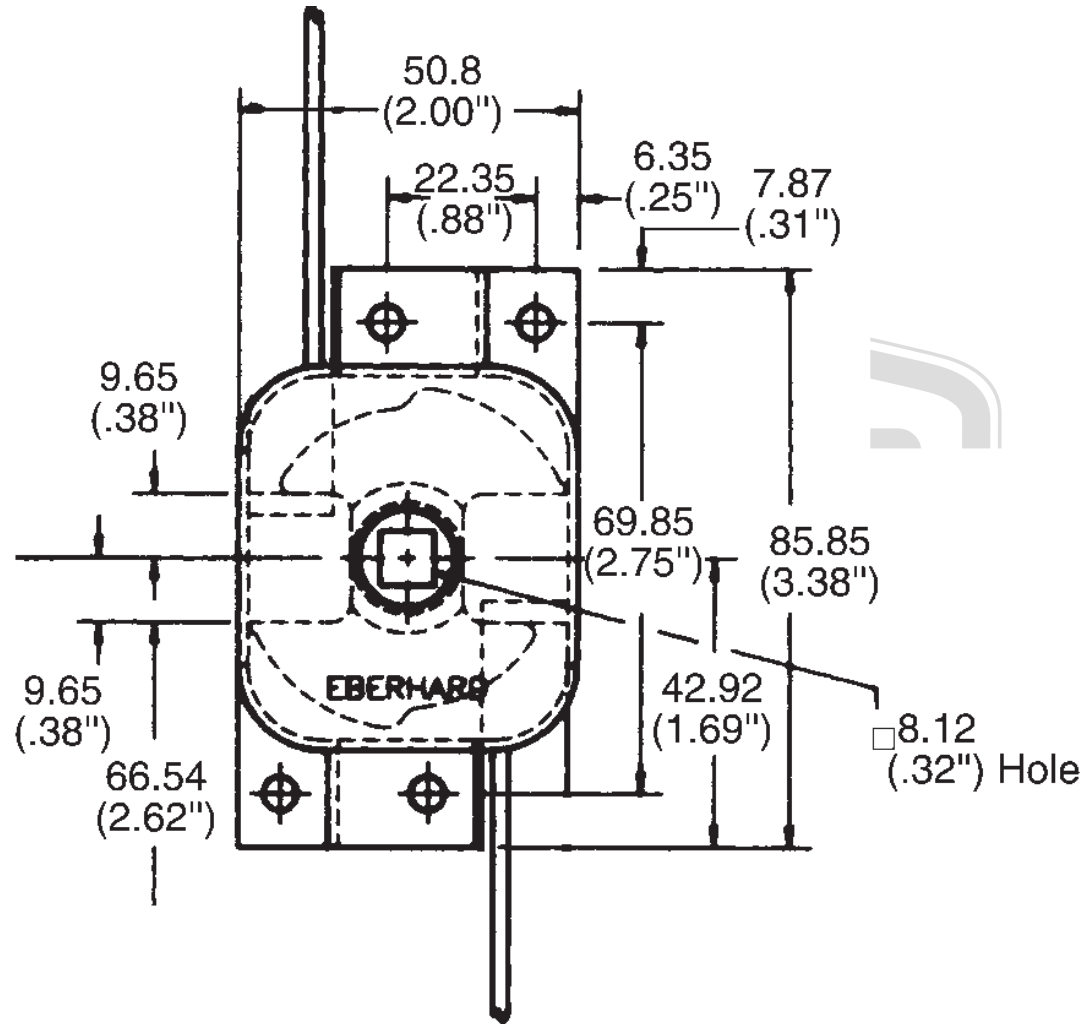


APPROVAL - CUSTOMER NAME & SIGNATURE

DATE



**ALLEGIS**

1-866-378-7550

MATERIAL:

Zinc

DRAWING NO.:

565698-50 ZN RH

FINISH:

REV.:

1:1

DATE:

6/12/2019